

Rosengrens MultiDoc

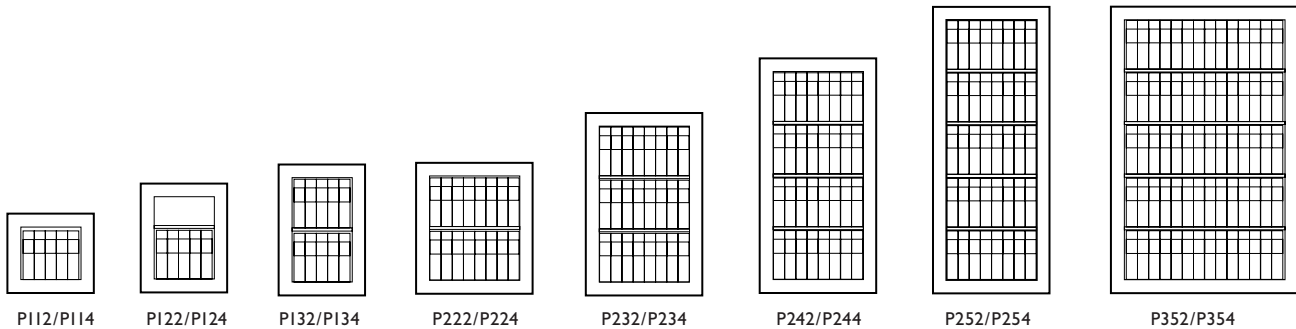
Fire protection of documents



Rosengrens MultiDoc is a complete range of fire-resistant document cabinets with a storage capacity for every need. The cabinets are available in 10 different sizes from the smallest cabinet with the capacity of 5 binders up to the largest cabinet with the capacity of 70 binders. MultiDoc has a wide range of flexible interior fittings for efficient storage of documents and binders. The cabinets can also offer a combined storage. By adding a special insert you are able to store and protect data media such as CD's, DAT cassettes and DLT tapes in the cabinet. The whole MultiDoc range is tested and certified to withstand a fire for 1 or 2 hours.

Rosengrens MultiDoc



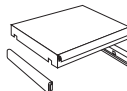
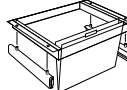

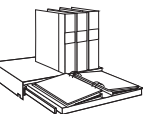
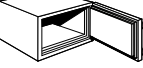
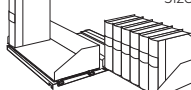
Fire protection of documents



Product data

Model	External dimensions (mm)			Internal dimensions (mm)			Weight (kgs)	Vol. (lit)
	Height	Width	Depth	Height	Width	Depth		
PI12/PI14	530	565	560	350	385	375	115	51
PI22/PI24	730	565	560	550	385	375	150	79
PI32/PI34	880	565	560	700	385	375	175	101
P222/P224	880	780	620	700	600	440	235	185
P232/P234	1230	780	620	1050	600	440	310	277
P242/P244	1580	780	620	1400	600	440	380	370
P252/P254	1930	780	620	1750	600	440	455	462
P352/P354	1930	1260	620	1750	1080	440	635	832

Interior fittings

- 
Fixed shelf
 For PI12–PI34
 Size 17x379x372
 For P222–P254
 Size 17x594x432
 For P352/P354
 Size 17x1074x432
- 
Lockable compartment
 For PI12–PI34
 Size 175x379x355
 For P222–P254
 Size 175x594x415
 For P352/P354 (double doors)
 Size 175x594x415
- 
Extensible shelf
 For P222–P254
 Size 50x567x430
 For P352/P354
 Size 50x1074x430
- 
Extensible file frame A4
 For P222–P254
 Size 75x567x357
 For P352/P354
 Size 75x1074x357
- 
Extensible file frame Folio
 For P222–P254
 Size 75x567x416
 For P352/P354
 Size 75x1074x416
- 
Support shelf
 For P222–P254
 Size 75x567x432
 For P352/P354
 Size 75x1074x432
- 
Data media insert 60 DISKETTE
 For P222–P352
 Int. size 250x456x219
 Ext. size 336x542x305
 Volume litre: 24,9
- 
Extensible shelf for extra capacity
 For P222–P254
 Size 155x594x410

Fire protection: Rosengrens MultiDoc cabinets have been tested and certified by SP (Swedish National Testing and Research Institute), according to the Scandinavian norm NT Fire 017 to class 60 Paper and 120 Paper. This means that the cabinets will withstand a fire for 60 or 120 minutes.

Locks: As standard the MultiDoc range is fitted with Rosengrens high security key lock RKL-10. Other lock options are available; combination locks, electronic locks or a combination of locks. All our models are prepared for dual locking, and come with high-quality tested locks.

Design: The design is functional and elegant and the cabinets blend in well in most environments with its light colour scheme. The door has a slam action feature, which means that you have just to slam the door to obtain full fire protection.

Quality and environmental management systems: The Rosengrens MultiDoc cabinets are all manufactured in accordance with the ISO 9001 quality management system and the ISO 14001 environmental management system.

Quality control: Rosengrens MultiDoc range has been developed and continuously tested according to the Rosengrens Quality Guidelines which include several criteria relating to existing European norms with the aim of guaranteeing quality and assuring customers that the products live up to the highest expectations.

Maximum storage capacity of DIN binders (75 mm)

Model	Standard	Extra*	Model	Standard	Extra*
PI12/PI14	5	-	P232/P234	24	30
PI22/PI24	5	-	P242/P244	32	40
PI32/PI34	10	-	P252/P254	40	50
P222/P224	16	20	P352/P354	70	-

* For Extensible shelf for extra capacity